

## GENERAL ARRANGEMENT OF BARE BLOCK MODEL GC 08 ( 1.0 HP )

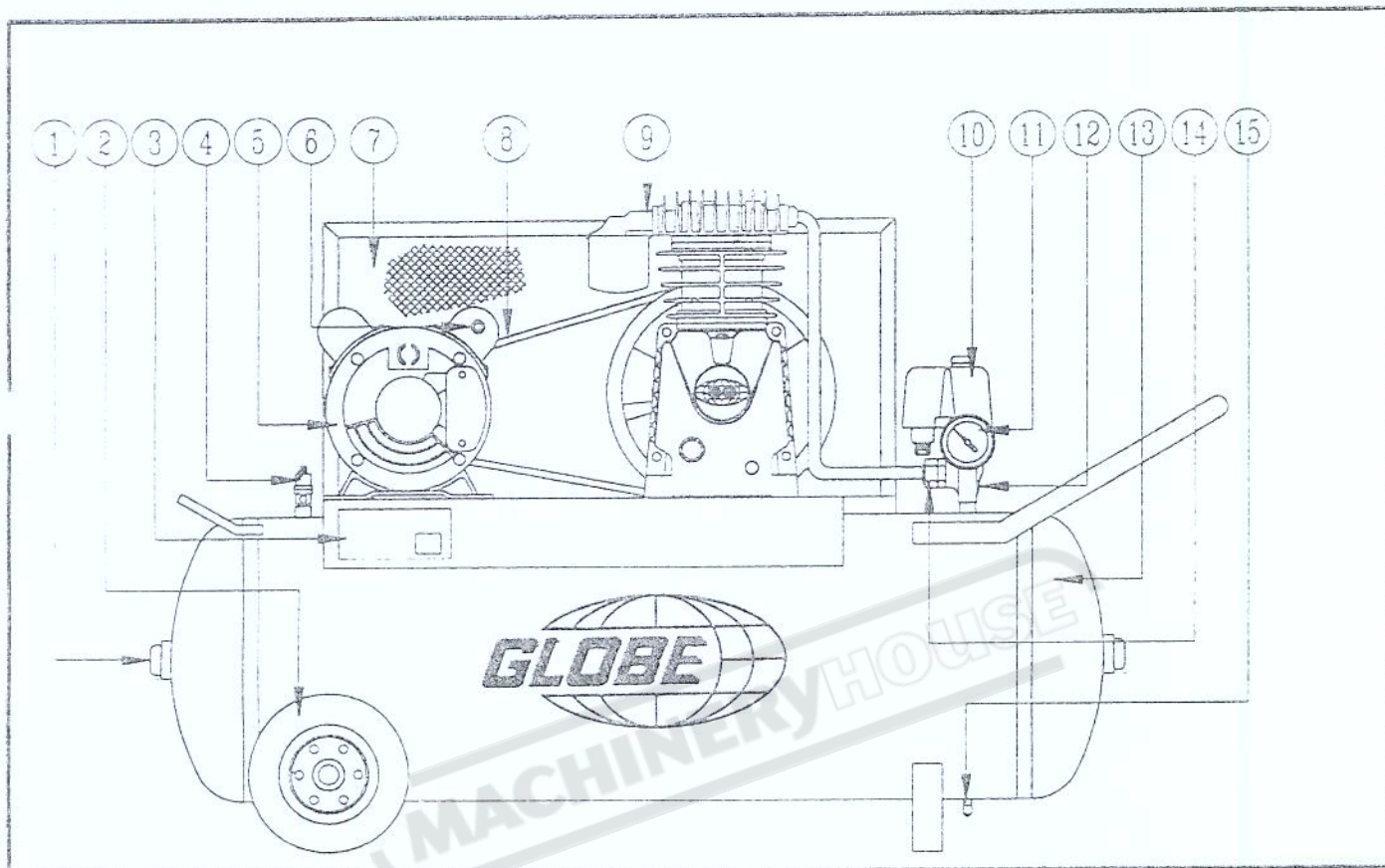
Legend	Designation	Size	Qty	Part No.
01 *	Bolt - Air Filter Mounting	M6 x 75 ( Pan Head )	1	GC-201
02 *	Bolt - Air Filter/Head	M6 x 12 ( Phillip )	2	GC-202
03 *	Air Filter Top		1	GC-203
04 *	Air Filter Foam	OD 60 x ID 5 x 60	1	GC-204
05 *	Air Filter Base		1	GC-205
06 *	Nut - Air Filter Mounting	Flange Nut M6	1	GC-206
07	Bolt - Cylinder/Head	M8 x 60 ( Hex )	4	GC-207
08	Washer - Head	M8 ( 8 x 15 x 1.5 )	4	GC-208
09	Casting - Cylinder Head		1	GC-109
10 #	Gasket - Valve Plate/Head		1	GC-210
11	Casting - Valve Plate		2	GC-211
12	Self Lock Spring	M3 x 10	2	GC-212
13	Reed Valve Plate		2	GC-213
14 #	Gasket - Cylinder/Valve Plate		1	GC-214
15	Casting - Cylinder		1	GC-215
16 #	Gasket - Cylinder/Crankcase		1	GC-216
17 **	Compression Rings - Top		1	GC-220
18 **	Compression Rings - Bottom		1	GC-221
19 **	Oil Control Ring - Rail		2	GC-222
20 **	Oil Control Ring - Middle		1	GC-223
21	Casting - Piston		1	GC-224
22	Gudgeon Pin		1	GC-225
23	Gudgeon Circlips		2	GC-226
24	Casting - Conrod Knife		1	GC-127
25	Conrod Dipper/Rivet	1/8" x 1/4"	1	GC-228
26	Casting - Crankcase Front		1	GC-130
27	Casting - Crankcase Back		1	GC-131
28 °	Oil Sight Glass		1	GC-232
29 °	O-Ring ~ Oil Sight Glass	3 x 20 ID x 26 OD	1	GC-233
30 °°	Oil Filler Cap		1	GC-234
31 °°	O-Ring ~ Oil Filler Cap	2.5 x 14 ID x 19 OD	1	GC-235
32 °°°	Drain Plug		1	GC-236
33 °°°	O-Ring ~ Drain Plug	2.5 x 10.55 ID x 15.5 OD	1	GC-237
34	Bolt - Crankcase	M8 x 20 ( Socket Head )	6	GC-238
35	Nut - Crankcase ( F/B )	Hex Nut M8	6	GC-239
36	Stud - Cylinder/Crankcase	M8 ( 12 x 5 x 21 )	4	GC-240
37	Nut - Cylinder/Crankcase	M8	4	GC-241
38	Washer - Cylinder/Crankcase	M8 ( 8 x 18 x 1.2 )	4	GC-242
39	Casting - Crankshaft		1	GC-143
40	Crankshaft Bearing - Front	6205	1	GC-244
41	Crankshaft Bearing - Back	6205 - Z	1	GC-245
42 ***	Oil Breather Top		1	GC-246
43 ***	Oil Breather Ball		1	GC-247
44 ***	Oil Breather Base		1	GC-248
45 ***	O-Ring ~ Oil Breather	2.5 x 10.55 ID x 15.5 OD	1	GC-249
46	Crankshaft Oil Seal	RST/TC 25 x 38 x 7	1	GC-250
47	Casting - Flywheel		1	GC-151
48	Bolt - Flywheel	M8 x 25 ( Socket Head )	1	GC-252
49	Sticker - Globe	OD 58 ( Globe 08 )	1	GC-154

## Items to be supplied as an assembly only :

* Air Filter Assembly Set	GC-001	° Oil Sight Glass Set	GC-005
** Compressors Rings Set	GC-002	** Oil Filler Cap Set	GC-006
*** Oil Breather Set	GC-003	°°° Drain Plug Set	GC-007
# Gaskets Set	GC-008		

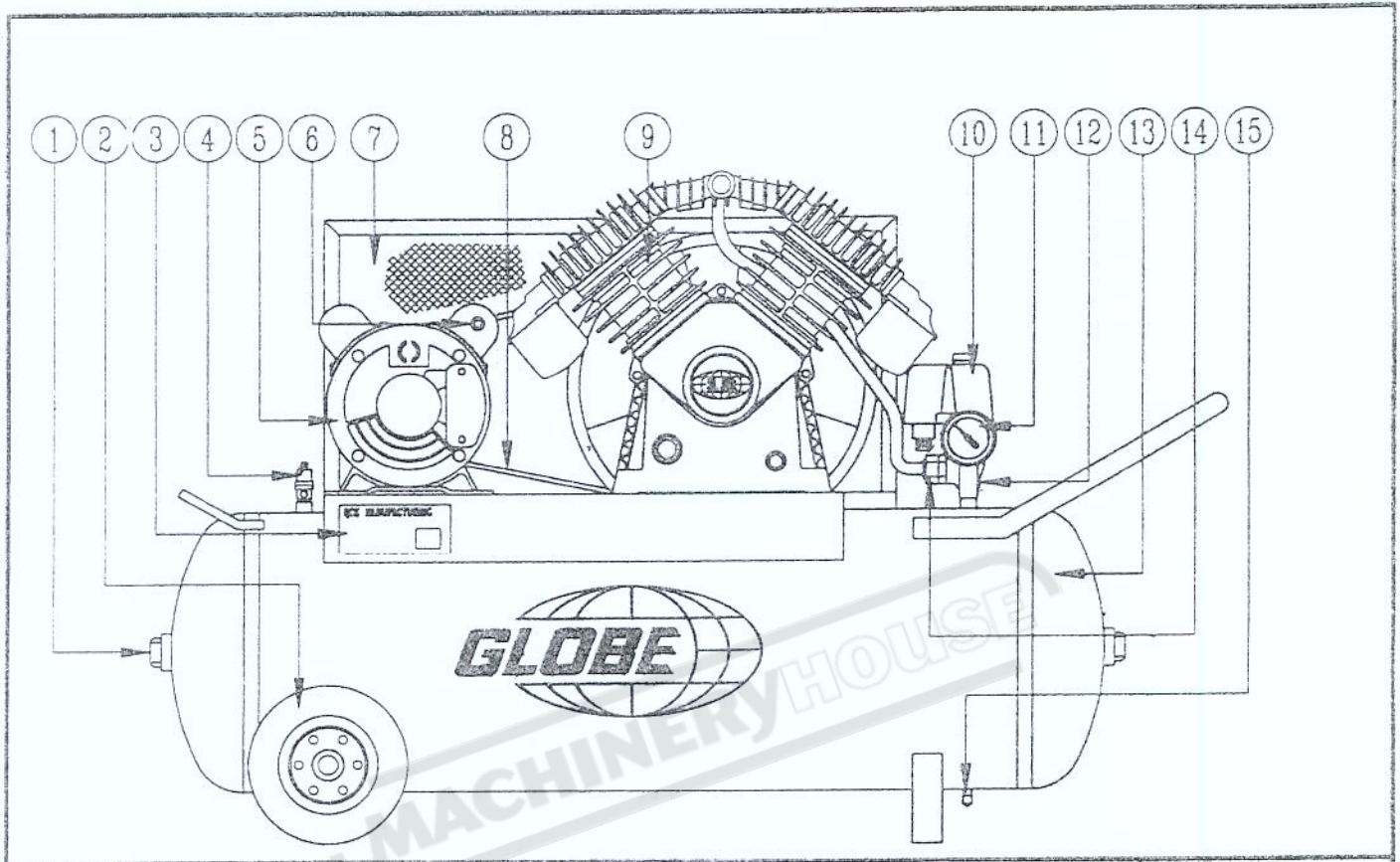


**GLOBE COMPRESSOR MODEL GC 08 (1.0 HP)**

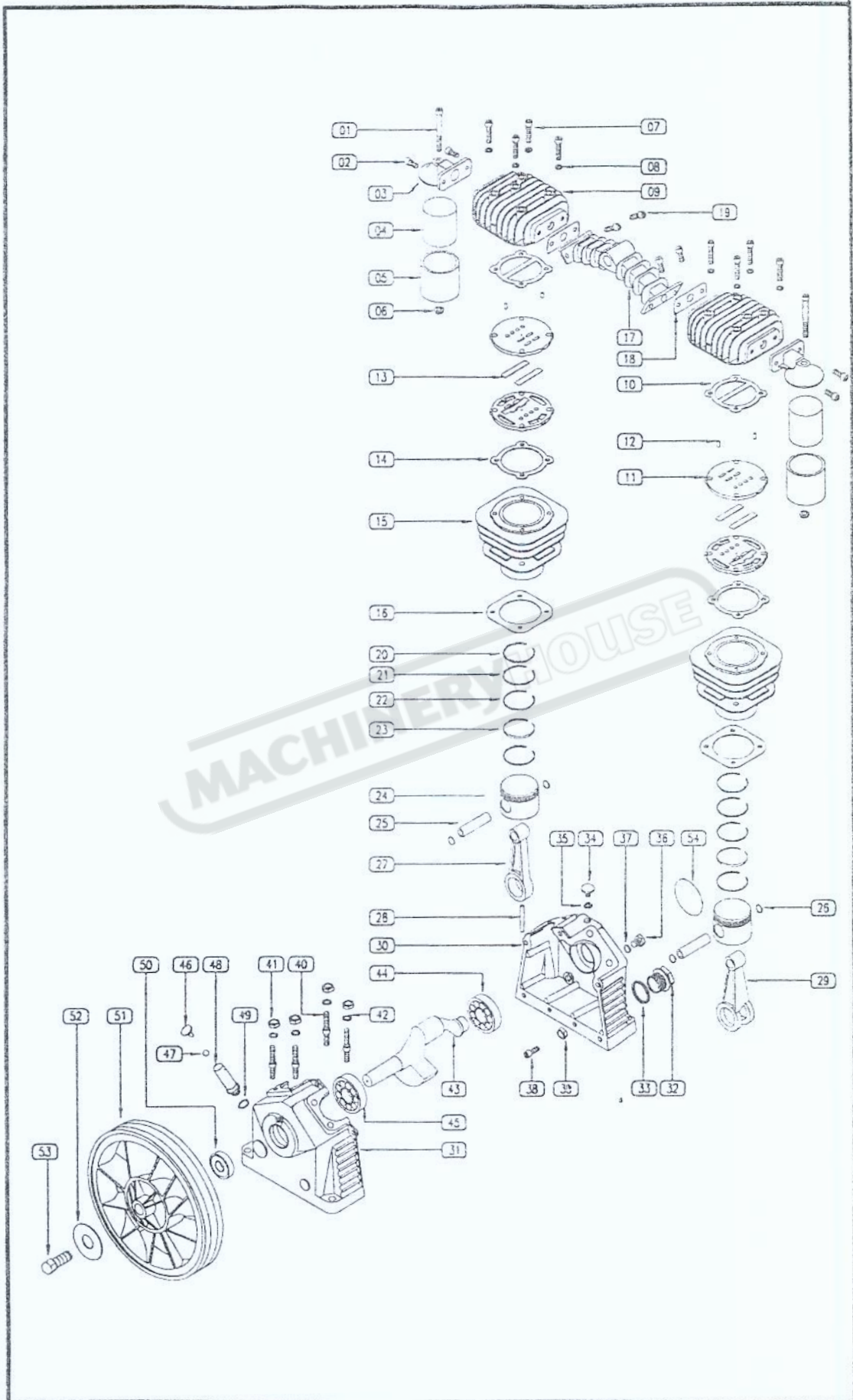


LEGEND	PARTS DESCRIPTION	LEGEND	PARTS DESCRIPTION
1	Inspection plug	9	Compressor pump & flywheel
2	Wheel	10	Pressure switch
3	Model code/tank serial no.	11	Pressure guage
4	Non-return valve	12	Steel riser
5	Motor and pulley	13	Air receiver tank
6	Thermal overload switch	14	Check valve
7	Fully enclosed belt guard	15	Drain valve
8	V-belt		

**GLOBE COMPRESSOR MODEL GC 12 (2.0 HP) & GC 16 (3.0 HP)**



LEGEND	PARTS DESCRIPTION	LEGEND	PARTS DESCRIPTION
1	Inspection plug	9	Compressor pump & flywheel
2	Wheel	10	Pressure switch
3	Model code/tank serial no.	11	Pressure guage
4	Non-return valve	12	Steel riser
5	Motor and pulley	13	Air receiver tank
6	Thermal overload switch	14	Check valve
7	Fully enclosed belt guard	15	Drain valve
8	V-belt		



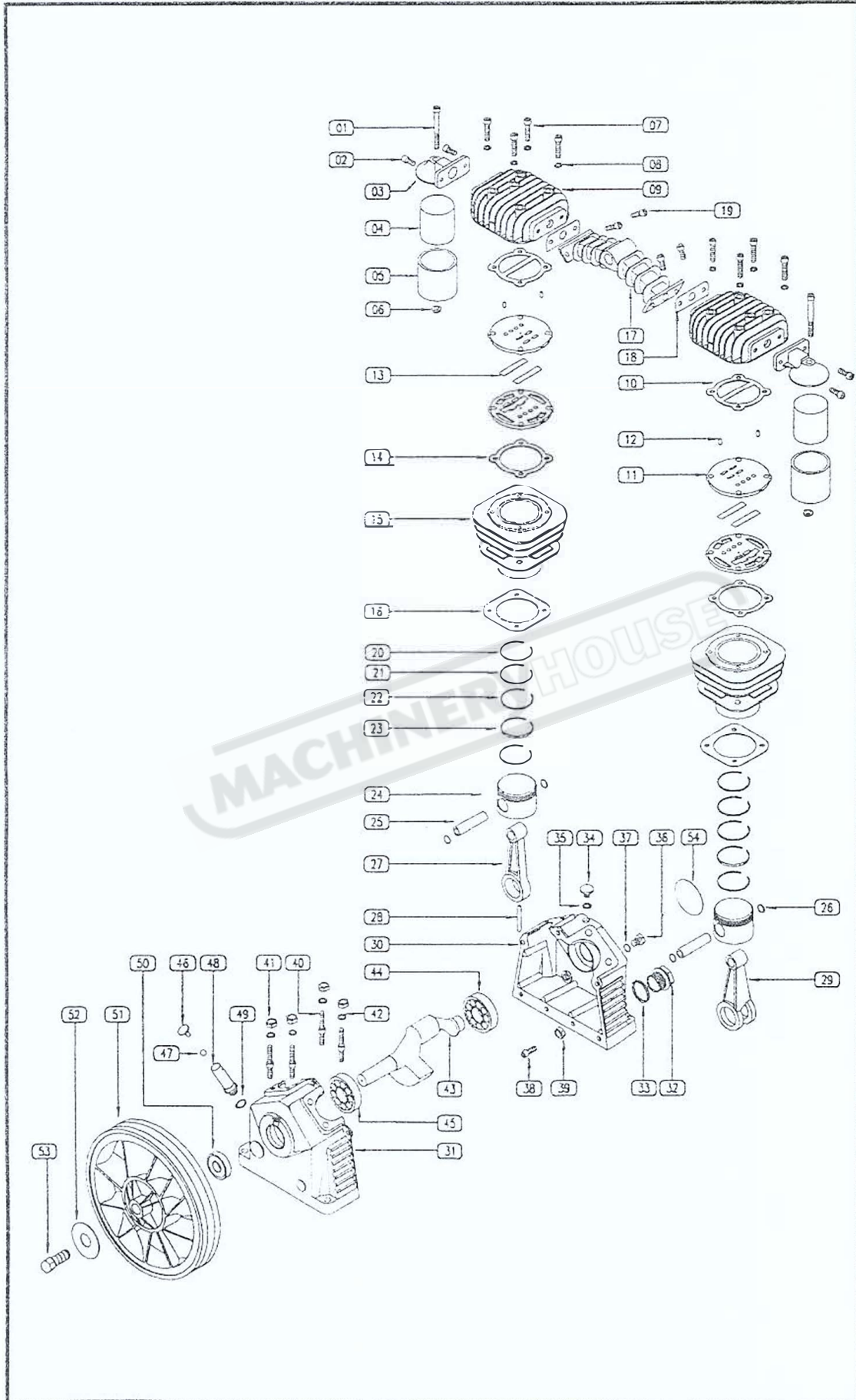


## GENERAL ARRANGEMENT OF BARE BLOCK MODEL GC 12 ( 2.0 HP )

Legend	Designation	Size	Qty	Part No.
01 *	Bolt - Air Filter Mounting	M6 x 75 ( Pan Head )	2	GC-201
02 *	Bolt - Air Filter/Head	M6 x 12 ( Phillip )	4	GC-202
03 *	Air Filter Top		2	GC-203
04 *	Air Filter Foam	OD 60 x ID 5 x 60	2	GC-204
05 *	Air Filter Base		2	GC-205
06 *	Nut - Air Filter Mounting	Flange Nut M6	2	GC-206
07	Bolt - Cvylinder/Head	M8 x 60 ( Hex )	8	GC-207
08	Washer - Head	M8 ( 8 x 15 x 1.5 )	8	GC-208
09	Casting - Cvylinder Head		2	GC-209
10 #	Gasket - Valve Plate/Head		2	GC-210
11	Casting - Valve Plate		4	GC-211
12	Self Lock Spring	M3 x 10	4	GC-212
13	Reed Valve Plate		4	GC-213
14 #	Gasket - Cvylinder/Valve Plate		2	GC-214
15	Casting - Cvylinder		2	GC-215
16 #	Gasket - Cvylinder/Crankcase		2	GC-216
17	Casting - Manifold		1	GC-217
18 #	Gasket - Manifold		2	GC-218
19	Bolt - Manifold	M8 x 16 ( Socket Head )	4	GC-219
20 **	Compression Rings - Top		2	GC-220
21 **	Compression Rings - Bottom		2	GC-221
22 **	Oil Control Ring - Rail		4	GC-222
23 **	Oil Control Ring - Middle		2	GC-223
24	Casting - Piston		2	GC-224
25	Gudgeon Pin		2	GC-225
26	Gudgeon Circlips		4	GC-226
27	Casting - Conrod Knife		1	GC-227
28	Conrod Dipper/Rivet	1/8" x 1/4"	1	GC-228
29	Casting - Conrod Fork		1	GC-229
30	Casting - Crankcase Front		1	GC-230
31	Casting - Crankcase Back		1	GC-231
32 °	Oil Sight Glass		1	GC-232
33 °	O-Ring ~ Oil Sight Glass	3 x 20 ID x 26 OD	1	GC-233
34 °°	Oil Filler Cap		1	GC-234
35 °°	O-Ring ~ Oil Filler Cap	2.5 x 14 ID x 19 OD	1	GC-235
36 °°°	Drain Plug		1	GC-236
37 °°°	O-Ring ~ Drain Plug	2.5 x 10.55 ID x 15.5 OD	1	GC-237
38	Bolt - Crankcase	M8 x 20 (Socket Head)	7	GC-238
39	Nut - Crankcase (F/B)	Hex Nut M8	7	GC-239
40	Stud - Cvylinder/Crankcase	M8 ( 12 x 5 x 21 )	8	GC-240
41	Nut - Cvylinder/Crankcase	M8	8	GC-241
42	Washer - Cvylinder/Crankcase	M8 ( 8 x 18 x 1.2 )	8	GC-242
43	Casting - Crankshaft		1	GC-243
44	Crankshaft Bearing - Front	6205	1	GC-244
45	Crankshaft Bearing - Back	6205 - Z	1	GC-245
46 ***	Oil Breather Top		1	GC-246
47 ***	Oil Breather Ball		1	GC-247
48 ***	Oil Breather Base		1	GC-248
49 ***	O-Ring ~ Oil Breather	2.5 x 10.55 ID x 15.5 OD	1	GC-249
50	Crankshaft Oil Seal	RST/TC 25 x 38 x 7	1	GC-250
51	Casting - Flywheel		1	GC-251
52	Washer - Flywheel	M10 ( 10.5 x 32 x 4.5 )	1	GC-252
53	Bolt - Flywheel	3/8" x 25 H/Tensile (L/H)	1	GC-253
54	Sticker - Globe	OD 64 ( Globe 12 )	1	GC-254

Items to be supplied as an assembly only :

* Air Filter Assembly	GC-001	° Oil Sight Glass Set	GC-005
** Compressors Rings Set	GC-002	°° Oil Filler Cap Set	GC-006
*** Oil Breather Set	GC-003	°°° Drain Plug Set	GC-007
# Gaskets Set	GC-004		





## GENERAL ARRANGEMENT OF BARE BLOCK MODEL GC 16 ( 3.0 HP )

Legend	Designation	Size	Qty	Part No.
01 *	Bolt - Air Filter Mounting	M6 x 75 ( Pan Head )	2	GC-201
02 *	Bolt - Air Filter/Head	M6 x 12 ( Phillip)	4	GC-202
03 *	Air Filter Top		2	GC-203
04 *	Air Filter Foam	OD 60 x ID 5 x 60	2	GC-204
05 *	Air Filter Base		2	GC-205
06 *	Nut - Air Filter Mounting	Flange Nut M6	2	GC-206
07	Bolt - Cylinder/Head	M8 x 60 ( Hex )	8	GC-207
08	Washer - Head	M8 ( 8 x 15 x 1.5)	8	GC-208
09	Casting - Cylinder Head		2	GC-309
10 #	Gasket - Valve Plate/Head		2	GC-210
11	Casting - Valve Plate		4	GC-211
12	Self Lock Spring	M3 x 10	4	GC-212
13	Reed Valve Plate		4	GC-213
14 #	Gasket - Cylinder/Valve Plate		2	GC-214
15	Casting - Cylinder		2	GC-315
16 #	Gasket - Cylinder/Crankcase		2	GC-216
17	Casting - Manifold		1	GC-217
18 #	Gasket - Manifold		2	GC-218
19	Bolt - Manifold	M8 x 16 ( Socket Head )	4	GC-219
20 **	Compression Rings - Top		2	GC-220
21 **	Compression Rings - Bottom		2	GC-221
22 **	Oil Control Ring - Rail		4	GC-222
23 **	Oil Control Ring - Middle		2	GC-223
24	Casting - Piston		2	GC-224
25	Gudgeon Pin		2	GC-225
26	Gudgeon Circlips		4	GC-226
27	Casting - Conrod Knife		1	GC-227
28	Conrod Dipper/Rivet	1/8" x 1/4"	1	GC-228
29	Casting - Conrod Fork		1	GC-229
30	Casting - Crankcase Front		1	GC-230
31	Casting - Crankcase Back		1	GC-231
32 °	Oil Sight Glass		1	GC-232
33 °	O-Ring ~ Oil Sight Glass	3 x 20 ID x 26 OD	1	GC-233
34 °°	Oil Filler Cap		1	GC-234
35 °°	O-Ring ~ Oil Filler Cap	2.5 x 14 ID x 19 OD	1	GC-235
36 °°°	Drain Plug		1	GC-236
37 °°°	O-Ring ~ Drain Plug	2.5 x 10.55 ID x 15.5 OD	1	GC-237
38	Bolt - Crankcase	M8 x 20 (Socket Head)	7	GC-238
39	Nut - Crankcase (F/B)	Hex Nut M8	7	GC-239
40	Stud - Cylinder/Crankcase	M8 ( 12 x 5 x 21 )	8	GC-240
41	Nut - Cylinder/Crankcase	M8	8	GC-241
42	Washer - Cylinder/Crankcase	M8 ( 8 x 18 x 1.2)	8	GC-242
43	Casting - Crankshaft		1	GC-343
44	Crankshaft Bearing - Front	6205	1	GC-244
45	Crankshaft Bearing - Back	6205 - Z	1	GC-245
46 ***	Oil Breather Top		1	GC-246
47 ***	Oil Breather Ball		1	GC-247
48 ***	Oil Breather Base		1	GC-248
49 ***	O-Ring ~ Oil Breather	2.5 x 10.55 ID x 15.5 OD	1	GC-249
50	Crankshaft Oil Seal	RST/TC 25 x 38 x 7	1	GC-250
51	Casting - Flywheel		1	GC-251
52	Washer - Flywheel	M10 (10.5 x 32 x 4.5)	1	GC-252
53	Bolt - Flywheel	3/8" x 25 H/Tensile (L/H)	1	GC-253
54	Sticker - Globe	OD 64 ( Globe 16 )	1	GC-354

## Items to be supplied as an assembly only :

* Air Filter Assembly	GC-001	° Oil Sight Glass Set	GC-005
** Compressors Rings Set	GC-002	°° Oil Filler Cap Set	GC-006
*** Oil Breather Set	GC-003	°°° Drain Plug Set	GC-007
# Gaskets Set	GC-004		